

Tech Alcove

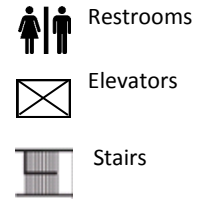
BPr - Black and White printer

CPr - Color printer

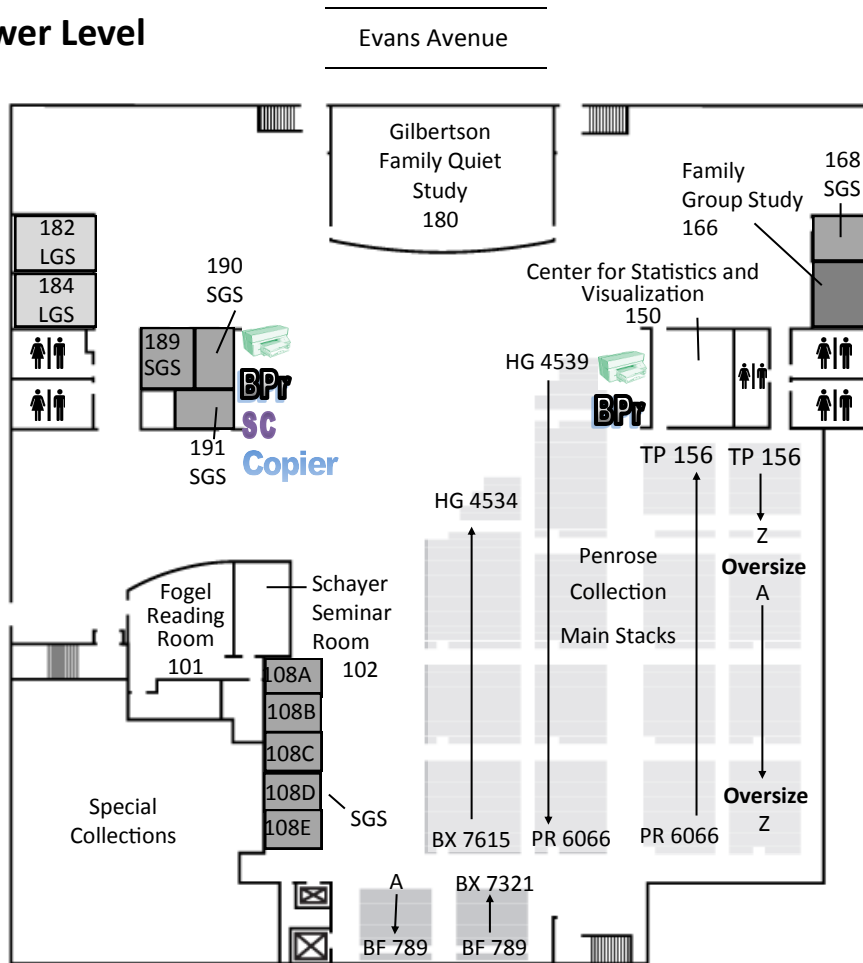
SC - Scanner

Copier

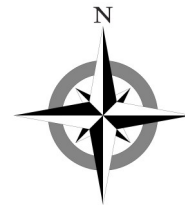
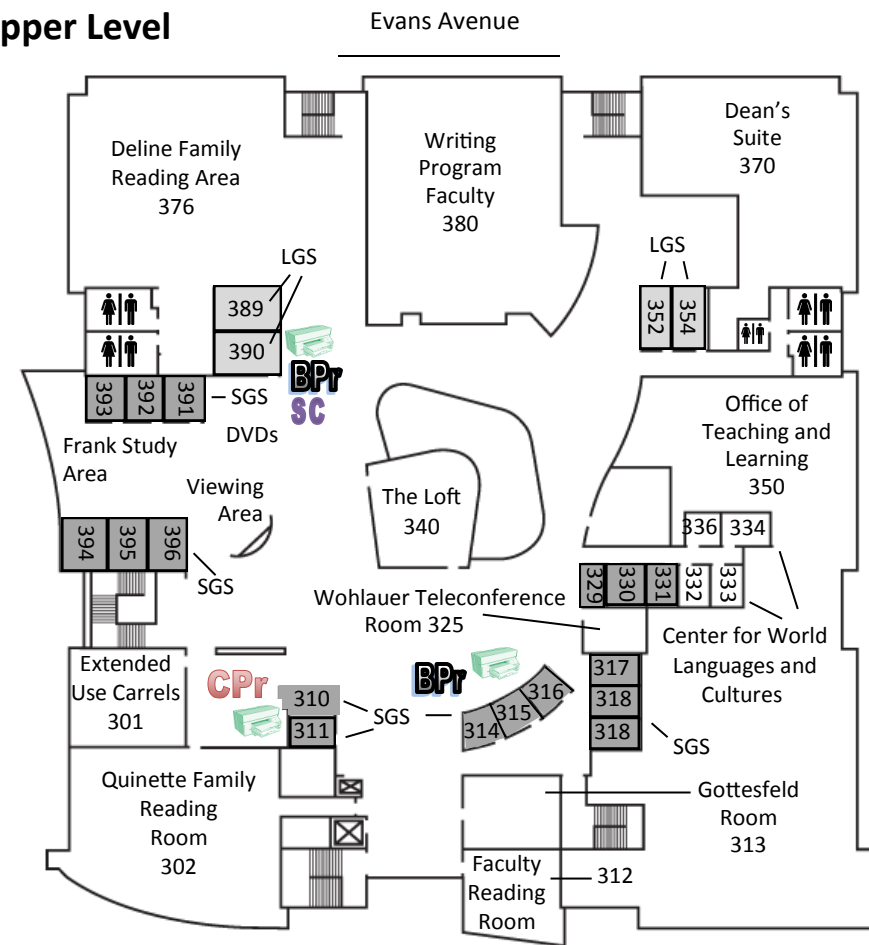
Large Group Study Rooms (LGS)	Lower Level Rooms: 182, 184	Upper Level Rooms: 389, 390, 352, 354 Main Level Room: 212
Small Group Study Rooms (SGS)	Lower Level Rooms: 108A—108E, 168, 189-191	Upper Level Rooms: 310, 311, 314-316, 318-319, 329-331, 391-396



Lower Level



Upper Level



Library of Congress Classification

- | | | | |
|------------------------------|---------------------|------------------------------|------------------------------------|
| A General Works | H Social Sciences | Q General Science | R Medicine |
| B Philosophy and Religion | J Political Science | QA Math and Computer Science | S Agriculture |
| C History: General | K Law* | QB Astronomy | T Technology and Engineering |
| D History: Old World | L Education | QC Physics | U Military Science |
| E History: Americas | M Music** | QD Chemistry | V Naval Science |
| G Geography and Anthropology | N Fine Arts | QE Zoology | Z Bibliography and Library Science |
| | P Literature | QH-QR Biological Sciences | |

* Law Collection is concentrated in the Westminster Law Library, 2255 E. Evans Ave. 303.871.6188

** Music Collection is concentrated in the Lamont School of Music, Newman Center for the Performing Arts, 2344 E. Iliff Ave. 303.871.6421



UNIVERSITY of DENVER

UNIVERSITY LIBRARIES

Main Library at the Anderson Academic Commons

Main Library Hours	
Mon—Thurs:	7 am—2am
Fri:	7am—10pm
Sat:	9am—10pm
Sun:	10am—2am
Main Library Lending Desk: 303.871.3707	

Need research help?

Contact the Crossley Research Center at 303-871-2905

Or click [? Ask Us!](#) on the University Libraries home page: library.du.edu

Questions about borrowing or library access?

Contact the Perlmutter Lending Desk at 303-871-3707

Interested in Special Collections and Archives?

Contact Special Collections & Archives at 303-871-3428

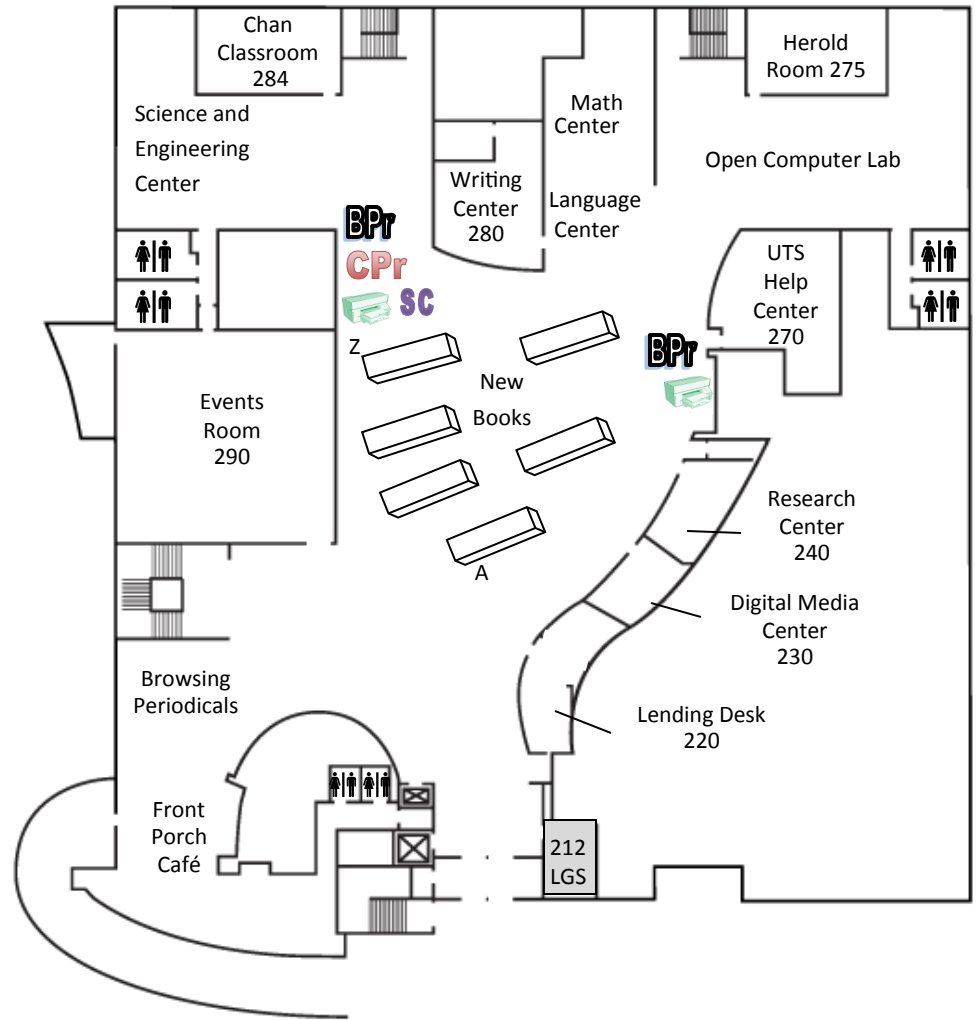
Book and Materials Paging

The Library will retrieve items for you from the Anderson Academic Commons stacks as well as the Hampden Center off-site storage facility. Use the "Request It" button to request items in the online catalog on library.du.edu. Most items will be ready for pick up within a few hours. You will receive an email when your items are available.



Main Level

Evans Avenue



- LGS** Large Group Study Rooms
- SGS** Small Group Study Rooms
- Restrooms
- Elevators
- Stairs
- Tech Alcove
- BPr** - Black and White printer
- CPr** - Color printer
- SC** - Scanner
- Copier** - on Lower Level